

Versa Lift - Platform Enclosure Installation Guide

1

These instructions apply to the PE24 Platform Enclosure kit for all Versa Lift Models 24. If your model number is different from this, contact BPG for the correct platform enclosure kit.

PE24 - Platform Enclosure Kit

The Platform Enclosure Kit consists of two fixed “end panels” and two hinged “ramp/doors.” The ramp/doors serve as loading ramps when lowered and as enclosure doors when raised and latched.

The Platform Enclosure provides containment walls for the lifting platform. These walls are especially useful for lifting a variety of loose, unstable objects like firewood, groceries, canned goods, small packages, etc. When lowered, the ramp/door becomes a loading ramp that makes it easy to roll wheeled storage bins, carts, dollies, and other items onto the lifting platform in the garage.

IMPORTANT SAFETY INFORMATION - PLEASE READ

⚠ WARNING This guide is an addendum to the *Versa Lift Installation Guide* and the *Versa Lift Owners Manual* and is not intended as a substitute for them. Before operating the Versa Lift, please read the *Versa Lift Owners Manual* for critical safety information and correct operating procedures and follow all safety rules and danger warnings!

⚠ WARNING Never step on the ramp/door when it is down stairs in ramp mode. It is not designed to hold your weight! Always raise and securely latch the ramp/doors before operating the lift in either the “up” or “down” direction.

If the lift is operated with the ramp/doors unlatched or in the down position, the ramp/doors and platform may be badly damaged and there is danger from falling objects. Damage to the Versa Lift or the enclosure caused by failure to close the ramp/doors is not covered by the Versa Lift warranty.

⚠ DANGER! The Platform Enclosure does not make the Versa Lift safe for persons, children or small animals to ride on. Significant amputation hazards still exist, even with the platform enclosure! Children or pets should be denied access to the Versa Lift at all times. The standard remote key switch should be locked and the key (or wireless remote) must remain in your possession or must be safely stored where children cannot get to it. Children should also be warned of the dangers of playing on or around the Versa Lift. The remote should only be unlocked when the lift is in use. During such times that the lift is in use, children and pets should be closely supervised by an adult.



1. Downstairs, lower the ramp/door to load the platform.



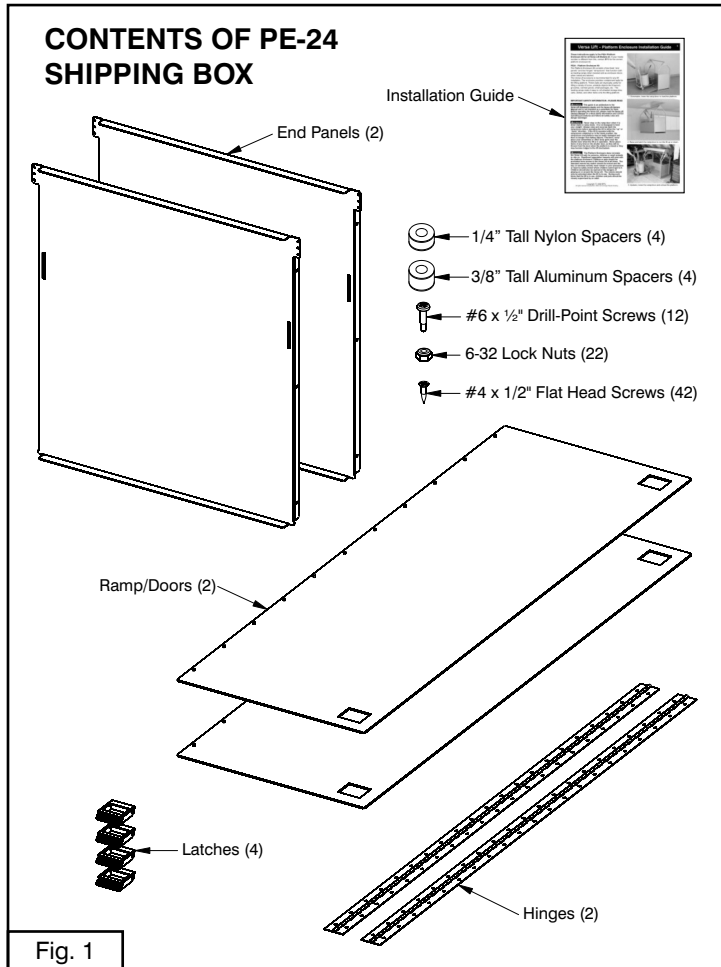
2. Raise and latch the ramp/door to run the lift up or down.



3. Upstairs, lower the ramp/door and unload the platform.

I. UNPACKING:

Unpack the components of the Platform Enclosure kit carton and carefully check the contents against those listed in Fig. 1. If you are missing any of the parts listed, contact BPG for replacement parts before starting installation (see contact information below right).



II. ADJUST PLATFORM HEIGHT:

Before starting installation, you must make sure your platform is even with, or higher than, the upstairs floor.

Step 1. Raise the platform to the highest position (Fig. 2).

Step 2. Go upstairs and place a straight edge on the floor at each corner of the lift (Fig. 2). If the platform is higher or even with the floor at all four corners skip this section and go to **Section III. Platform Enclosure Installation.**

Step 3. If the platform is lower than the floor, find the lowest corner and compare the spacers (Fig. 2) to the gap between the straight edge and the platform. Select the shortest spacer that is taller than all of the gaps.

Step 4. Lower the platform all the way down to the garage floor.

Step 5. Upstairs, loosen the leg bolts on each of the lift housing legs (Fig. 3).

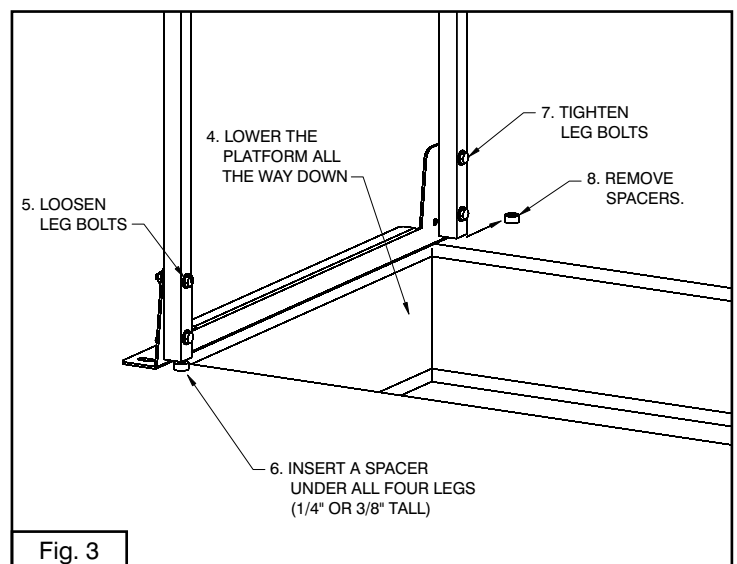
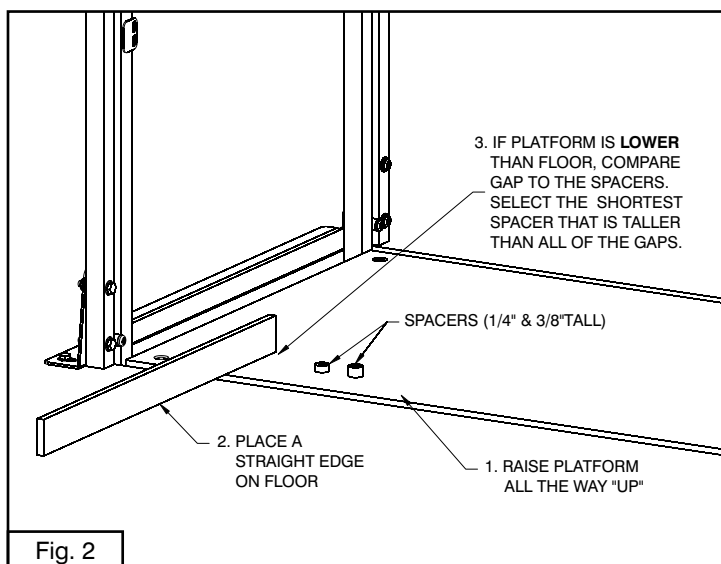
Step 6. Lift each leg and place a spacer under the edge of the leg to hold it up (Fig. 3). The legs are hollow, so don't push the spacer all the way under the leg.

Step 7. Tighten the bolts **securely** on each leg, but do not over-tighten or you will deform the leg.

Step 8. Remove (pry out) the spacer under each leg.

Raise the platform back to the highest position. Use the straight edge to re-check each corner. If the platform is now even with or higher than the floor, proceed to **Section III. Platform Enclosure Installation** (next page).

NOTE: If the platform is still lower, contact BPG for assistance before proceeding with the installation:
Email: tom@bpghome.com or Phone: 405-943-1468.



III. PLATFORM ENCLOSURE INSTALLATION:

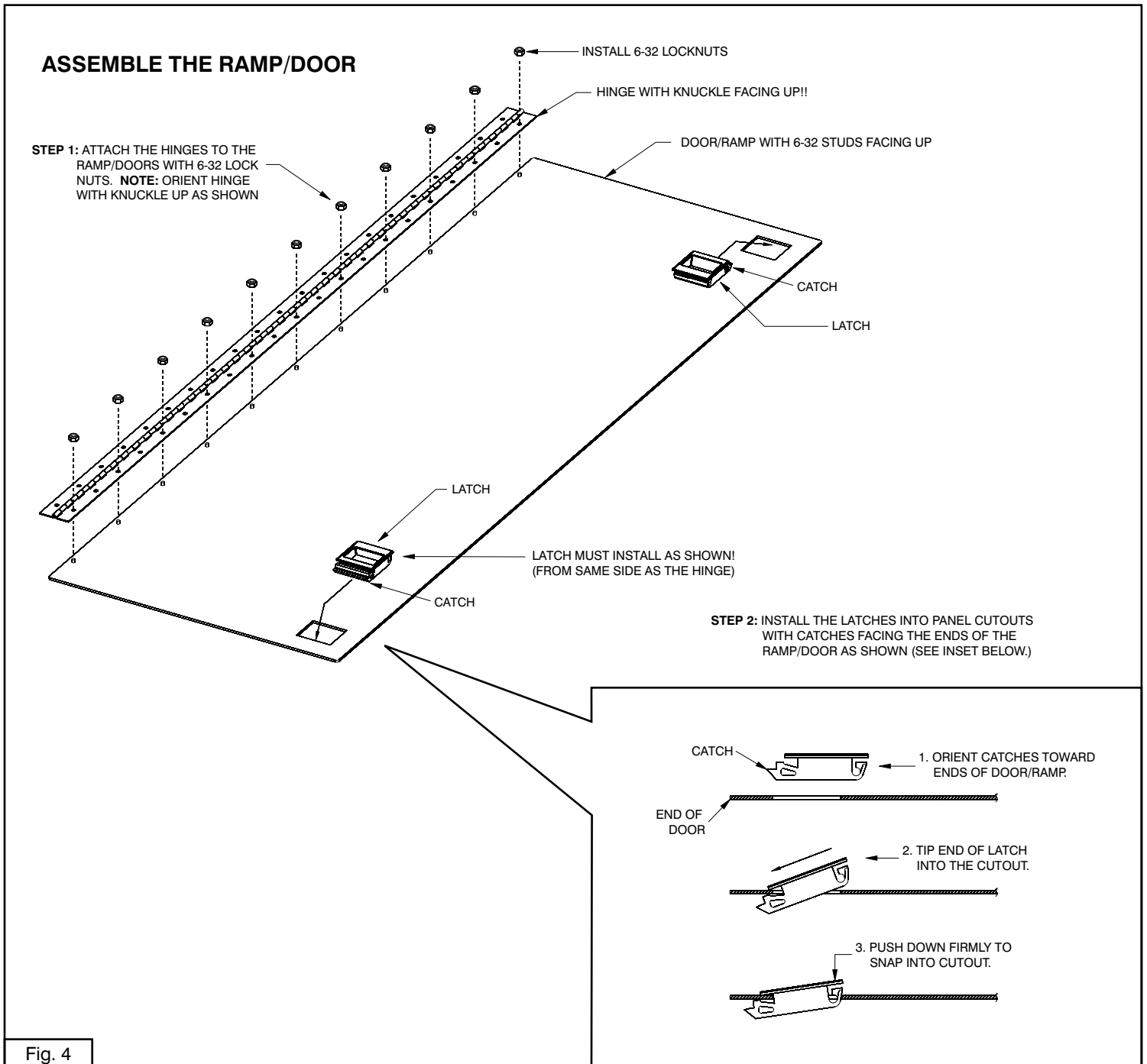
Before starting installation, remove all four chains from the platform chain tabs and save them for future use.

Step 1. Place the ramp/door on a clean flat surface with the 6-32 studs facing up. Place a hinge over the studs with the hinge knuckle facing upwards (Fig. 4). Install 6-32 locknuts onto each stud, securing the hinge in place.

Step 2. Install the latches into the panel cutouts exactly as shown in Fig. 4 and Fig. 4 Inset. **Note: The latches will not work if installed incorrectly. Please study the illustrations carefully before installing the latches.**

Repeat steps 1 and 2 for both ramp/doors.

(Installation is continued on following page.)



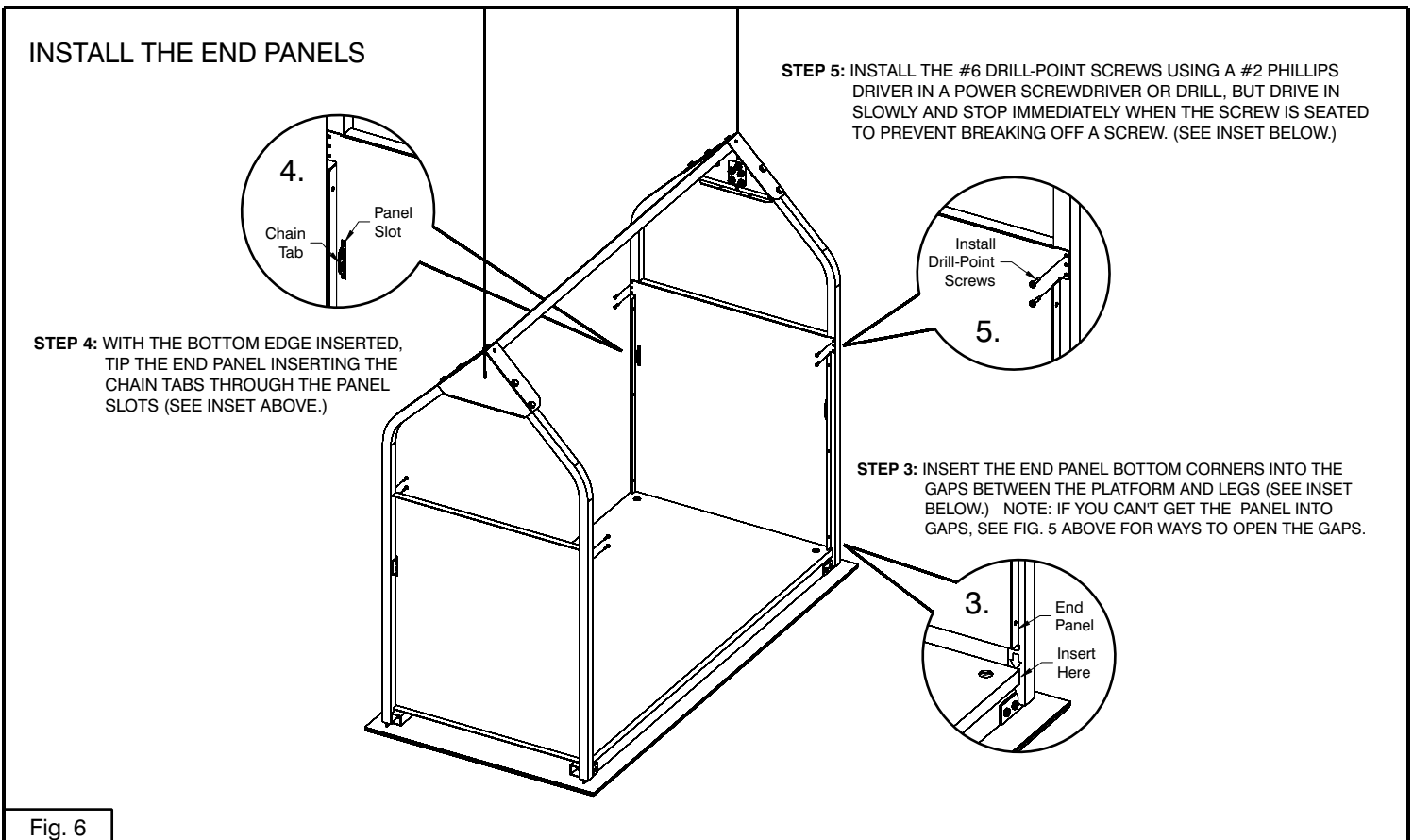
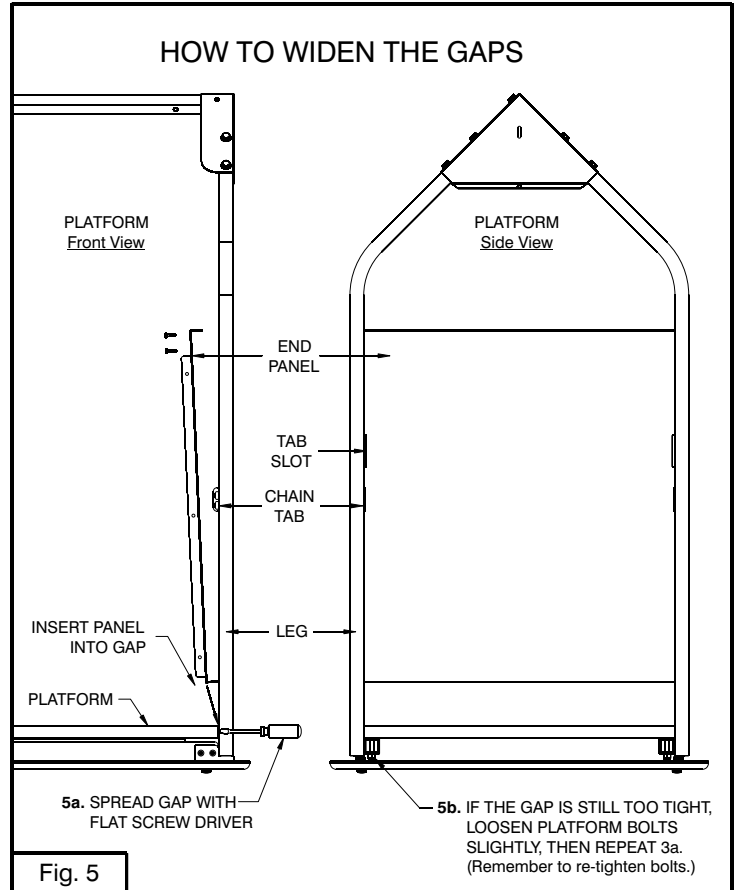
ENCLOSURE INSTALLATION: (Cont.)

Step 3. Lower the lifting platform all the way so that it is resting on the floor. Insert the end panels into the gap between the platform floor and the platform legs as shown in Fig. 6 (Inset 3) below. Carefully note the end panel orientation in Fig. 6 (Insets 3 and 5). If the gap is too small to insert the panel, you may have to spread the gaps slightly as shown in Fig. 5 (5a and 5b).

Step 4. With the bottom corners inserted, tip the end panel upright while inserting the chain tabs through the slots in the end panel (Fig. 6, Inset 4). If needed, you can bend the chain tabs slightly so they fit into the slots.

Step 5. Install the #6 drill-point screws using a #2 Phillips driver in a drill or power screwdriver, but drive them slowly and stop immediately when the screw is tight to prevent breaking the screw. Only two screws are required on each side of each end panel (Fig 6, Inset 5). Extra screws and extra holes are provided in case you break off a screw.

(Installation is continued on following page.)



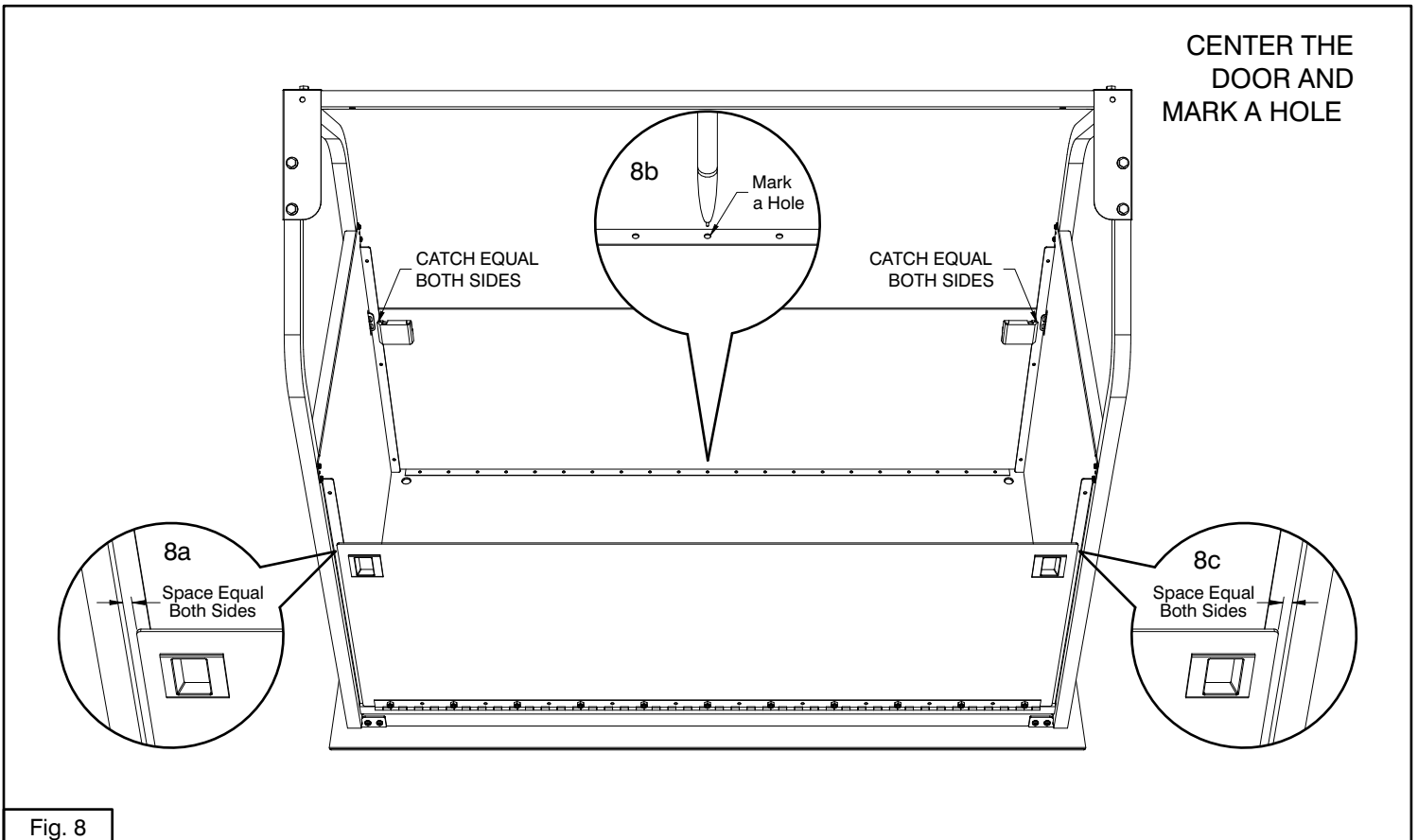
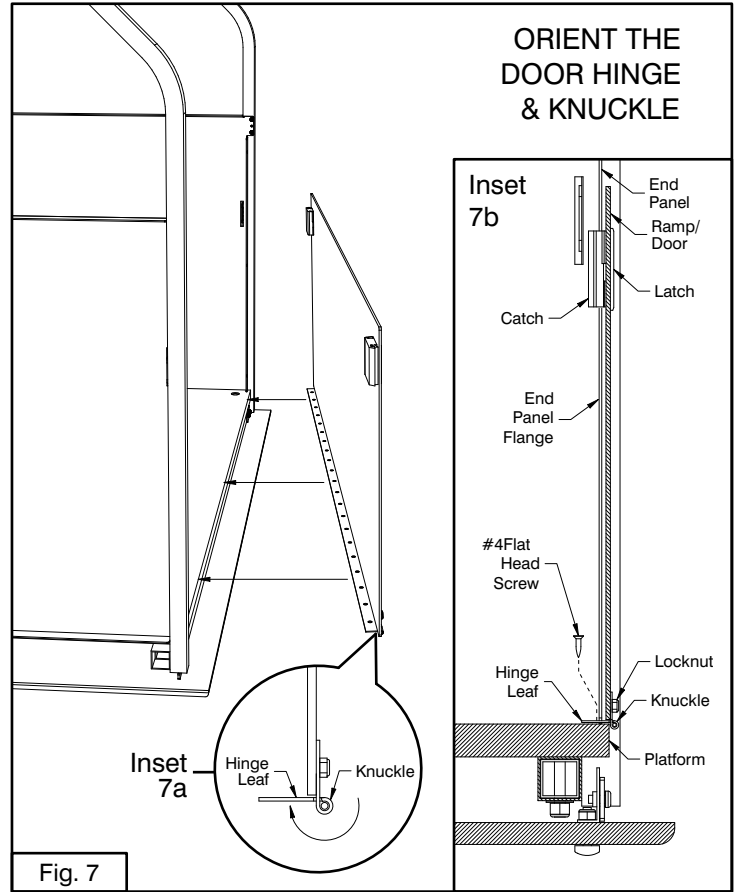
ENCLOSURE INSTALLATION: (Cont.)

Step 6. The assembled ramp/doors must be installed exactly as illustrated in Figs. 7 and 8. First, study Fig. 7 and Insets 7a and 7b. Notice the ramp/door is oriented with the locknuts and hinge knuckle facing outward, while the hinge leaf is rotated to face inward toward the center of the platform. Inset 7b shows how the hinge leaf sits on the top surface of the platform and the knuckle bumps up against the front edge of the platform.

Step 7. Position the ramp/door as shown in Fig. 8 below and Inset 7b to the right. Center the door carefully with equal spacing at the top outside corners (Insets 8a & 8c) and the catches equally engaged to the end panel flanges. Make sure the knuckle is bumped against the front edge of the platform.

When you have the ramp/door centered and aligned, use a ball point pen to mark the location of a hole in the middle of the hinge leaf (Inset 8b).

(Installation is continued on following page.)



ENCLOSURE INSTALLATION: (Cont.)

Step 8. Position ramp/door as shown in Fig. 9 with the latch end resting on the floor and the hinge leaf on the top of platform and the hinge knuckle bumped up against the front edge of the platform (Fig. 7, previous page). Line up the hinge hole with the mark you made in step 7. Install one of the #4 flat head screws (Fig. 9, Inset 9a), then raise and latch the door. Check to be sure that the spacing is equal (Fig. 9, Inset 9b). If the spacing is not equal, repeat step 7 on the previous page.

Step 9. When you are satisfied that the ramp/door is centered and the hinge knuckle is flush against the front edge of the platform, then install the remaining screws (Fig. 10). Check to make sure your ramp/door is correctly installed as illustrated in Fig. 11.

Step 10. Repeat steps 7 and 8 to install the other ramp/door.

Step 11. Lift and latch (close) both ramp/doors. Raise the lifting platform all the way up into the attic.

Warning: To prevent damage, always close the ramp doors before raising or lowering the lifting platform!

Congratulations, Your Installation is Complete!

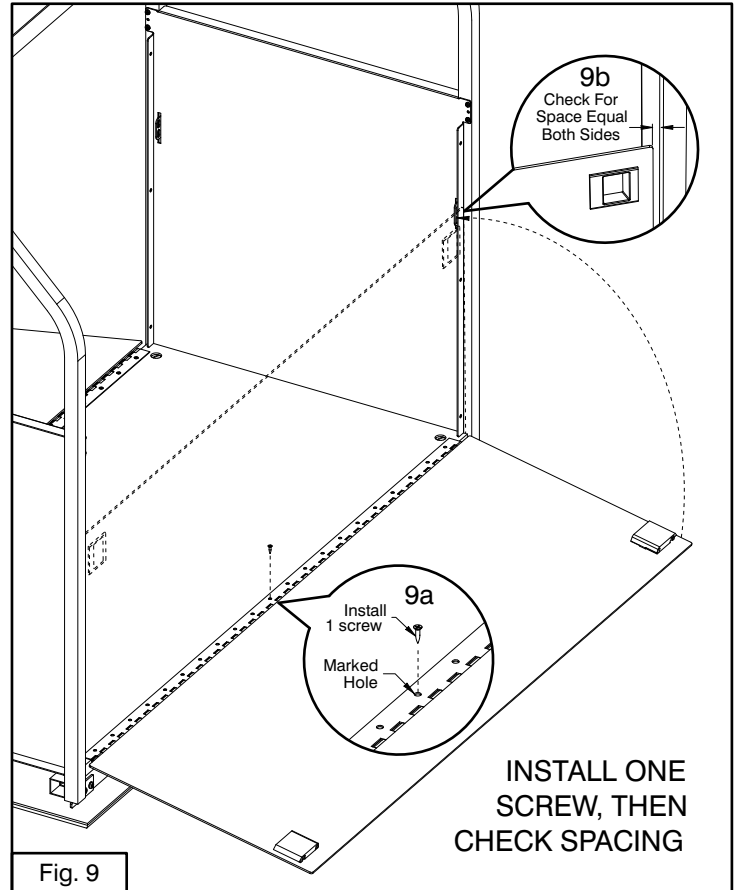


Fig. 9

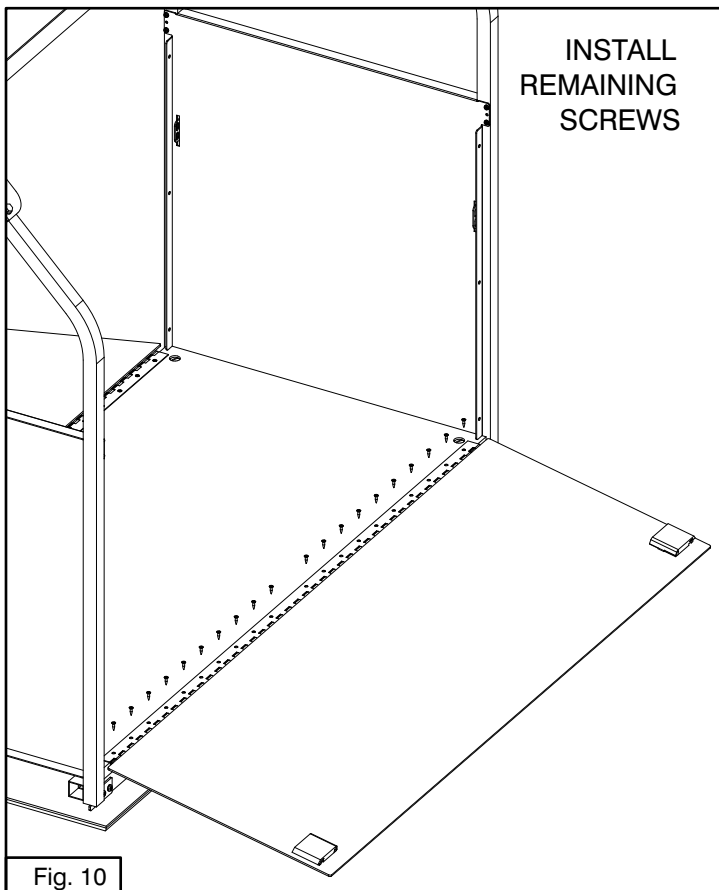


Fig. 10

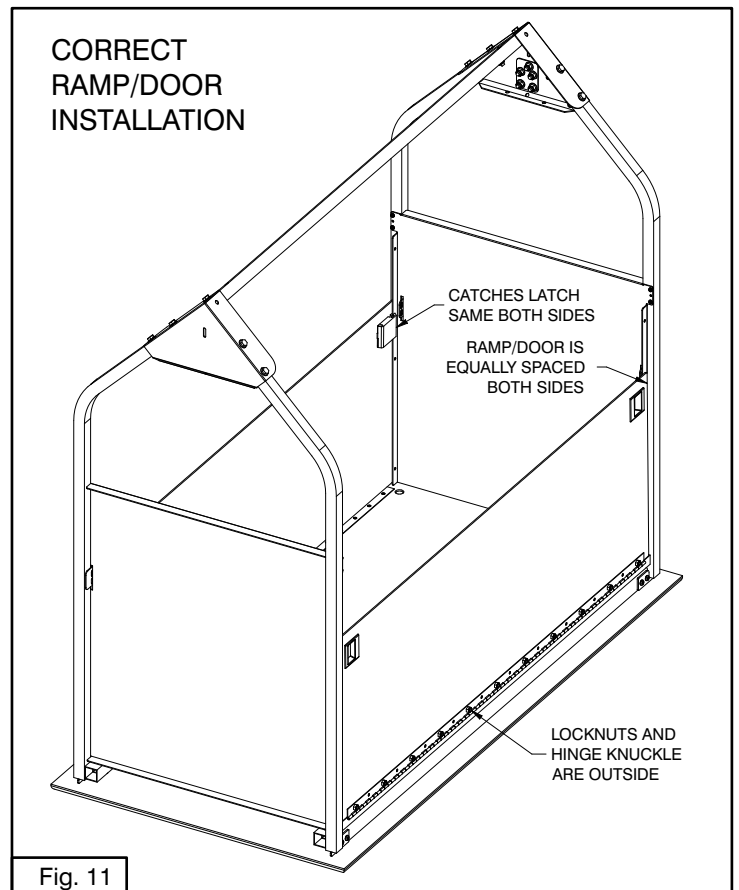


Fig. 11